



A Tsurumi Pump Company



QUICK AND EASY SOLUTION
FOR DEFENDING YOUR PROPERTY
FROM FLOODING

FLOOD *pump kit*

zenit.com

EN

Zenit solution for **flooding**

The **Zenit** flood pump kit comprises a **DR steel TCG** pump, a sturdy long hose which is supplied in an easy carry case. The flexible hose has a quick connection for fast deployment in an emergency. All material are corrosion resistant. The pre-assembled float switch automatically stops the pump and is ready to use by connecting the hose.



Benefits

Smart

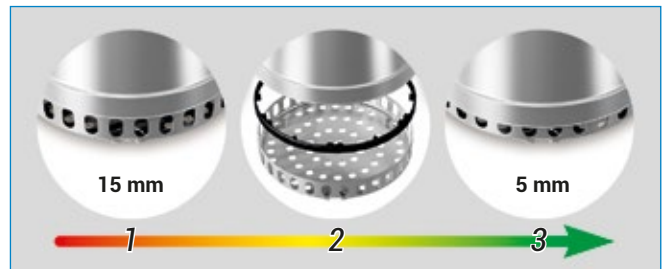
The plastic carry case can be stored on a shelf or as a strainer during operation.

Easy

It requires limited space and can be easily carried with the 2 handles on each side, and the case allows to have everything easily accessible.

Ready

The Zenit flood pump kit is ready to use and there is no need for special tools.

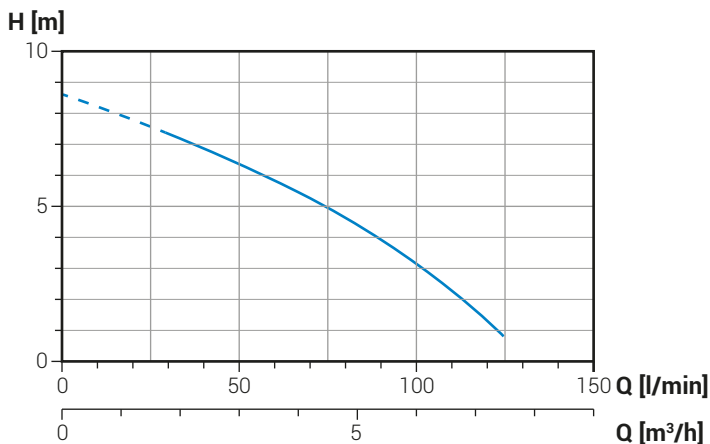


Technical data

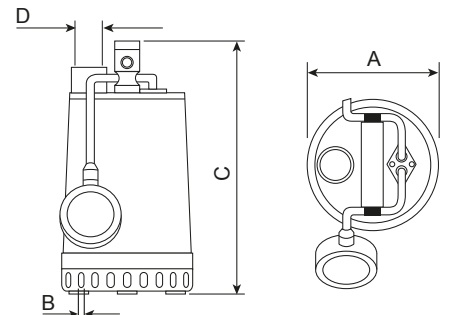
V	kW	A	Cable	Ø	Free passage
230~1	0.25	2.3	10 m	G 1¼"	10 mm

The **DR steel** easily converts from an ordinary submersible pump to a *dry floor* unit. When operating in this mode, the suction level can be reduced to as little as **5 mm** above the ground.

Performances



Dimensions



A	B	C	D	kg
170	10	300	G 1¼"	5.9